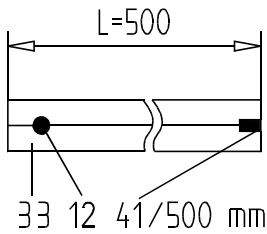
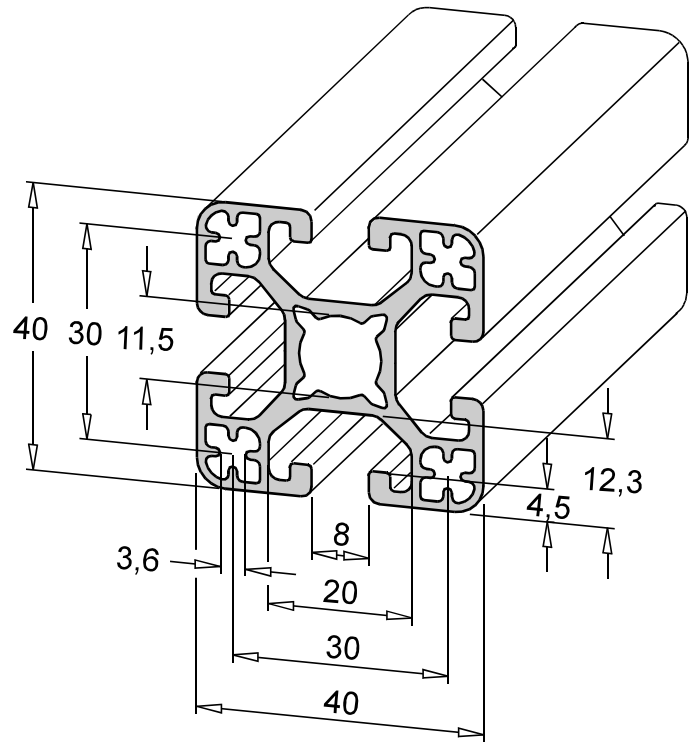


40 x 40 L



	10 x 6000 mm			33 00 00/6000 mm
	1 x 6000 mm			33 00 01/6000 mm
		<input type="checkbox"/>		33 02 02/..... mm
		<input checked="" type="checkbox"/>		33 12 02/..... mm
		<input checked="" type="checkbox"/>		33 12 12/..... mm
	M8x20	<input checked="" type="checkbox"/>		33 41 02/..... mm
	M8x20	<input checked="" type="checkbox"/>	M8x20	33 41 41/..... mm
	M14x100	<input checked="" type="checkbox"/>		33 47 02/..... mm
	M14x100	<input checked="" type="checkbox"/>	M14x100	33 47 47/..... mm
	M8x20	<input checked="" type="checkbox"/>	<input checked="" type="checkbox"/>	33 41 12/..... mm
	M14x100	<input checked="" type="checkbox"/>	<input checked="" type="checkbox"/>	33 47 12/..... mm
	45°	<input checked="" type="checkbox"/>		33 32 02/..... mm
	45°	<input checked="" type="checkbox"/>	45°	33 32 32/..... mm

Nach Bearbeitungsliste Seite 2.0.5–2.0.6 bzw. nach Ihrer Skizze

Compare outline of end finishing page 2.0.5–2.0.6, res. raccording to your own sketch

33 99 99/..... mm

Selon som aire de usinage des extrémités page 2.0.5–2.0.6, ou bien votre propre dessin

Conforme a la tabella de la lavorazione delle estremita pagina 2.0.5–2.0.6, rispett. schizzo costrutivo

Ver listo de mecanizar los extremos pag. 2.0.5–2.0.6, o ben segu un esbozo de Ud.